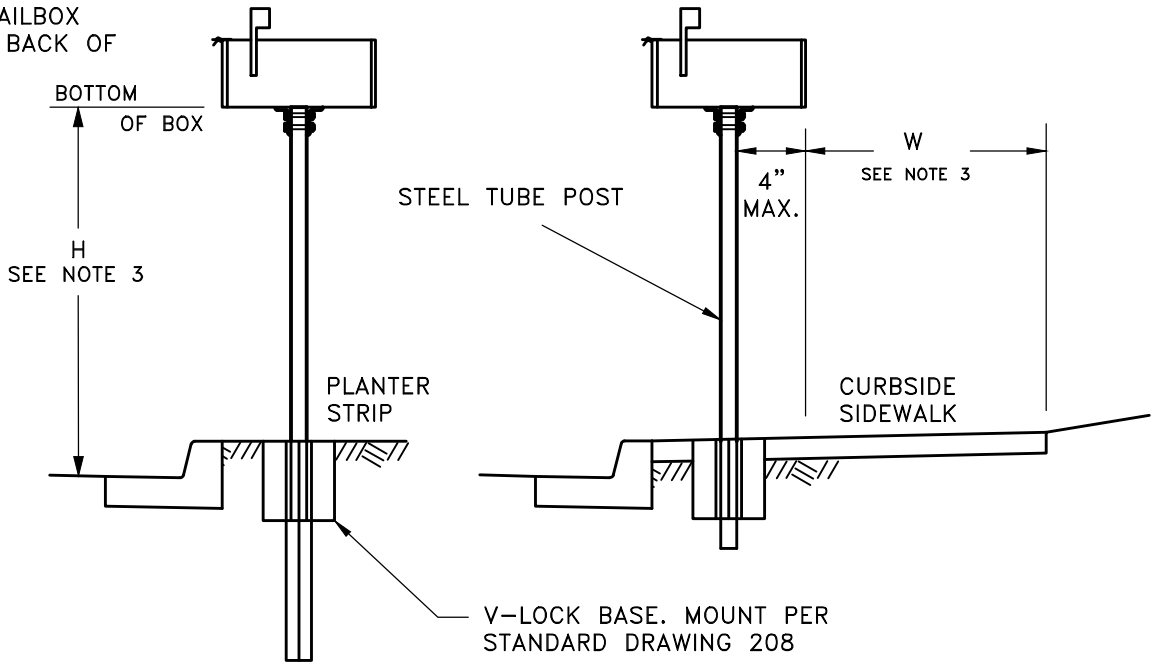
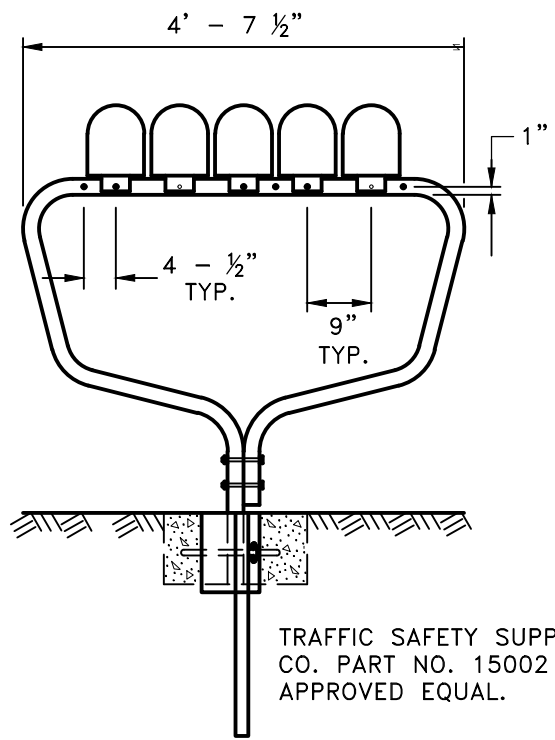


FACE OF MAILBOX  
EVEN WITH BACK OF  
CURB.



SINGLE SUPPORT



MULTIPLE SUPPORT

GENERAL NOTES

1. CONTACT THE UNITED STATES POSTAL SERVICE FOR LOCATION OF MAILBOX.
2. ON STREETS WITHOUT CURBS, THE FRONT OF THE MAILBOX SHALL BE LOCATED AT THE OUTSIDE EDGE OF THE SHOULDER.
3. W = 6' MIN. CLEAR SPACE FOR LOCAL STREETS.  
7' MIN. CLEAR SPACE FOR ARTERIAL AND COLLECTOR STREETS.  
4.0' MINIMUM WITH CITY ENGINEER APPROVAL
- H = 50" MIN., 52" MAX. ON IMPROVED STREETS.  
36" MIN., 38" ON NON-IMPROVED STREETS.
4. SEE DETAIL DWG. NO. 314 AND DETAIL DWG. NO. 317 FOR REQUIREMENTS RELATIVE TO CONSTRUCTION OF SIDEWALK AROUND OBSTACLES AND MAINTAINING REQUIRED PEDESTRIAN ACCESS CIRCULATION PATH.

TRAFFIC SAFETY SUPPLY  
CO. PART NO. 15002 OR  
APPROVED EQUAL.

<b>CITY OF ALBANY, OREGON PUBLIC WORKS DEPARTMENT</b>		
<b>MAILBOX LOCATION</b>		
NO SCALE	JUNE 2023	NO. 202A